

**Olymberyl® Baby Gabriel®**  
 Model HF217-SE  
 GENERAL SPECIFICATION

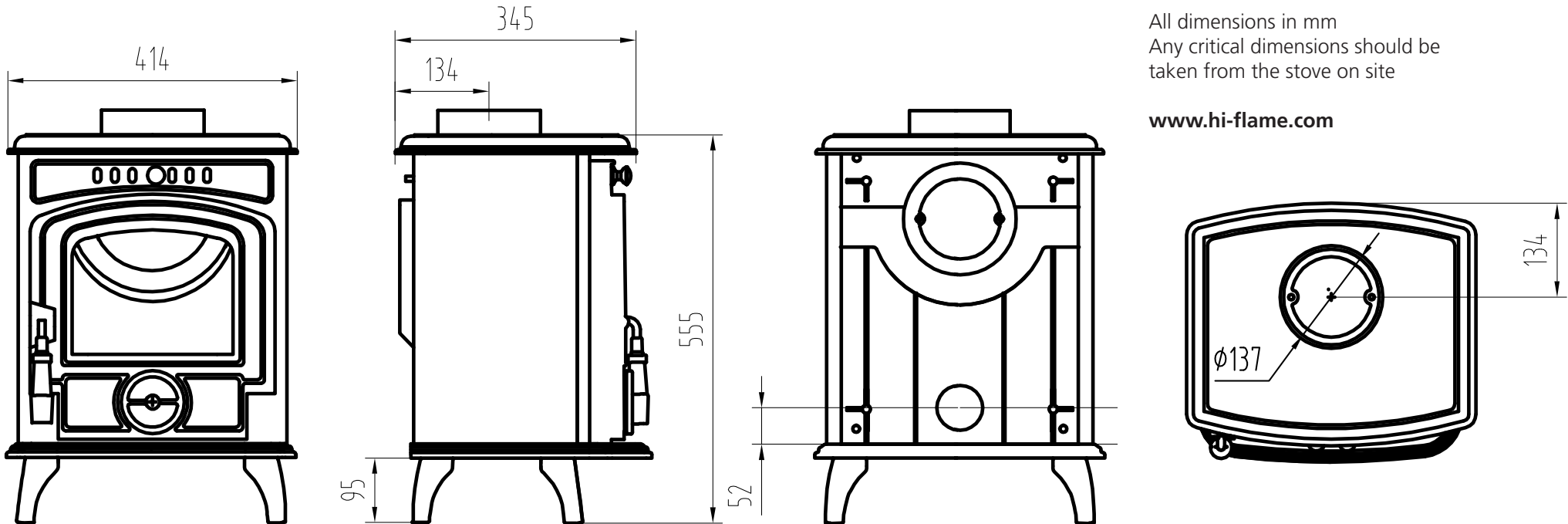
- **The HF217-SE is Defra Approved**
- **The HF217-SE data is SEAI verified** The output and efficiency has been verified by the Sustainable Energy Authority of Ireland (SEAI) and is listed on their Register of Performance (HARP) database



**hi-flame**  
 MULTI FUEL STOVES

All dimensions in mm  
 Any critical dimensions should be taken from the stove on site

[www.hi-flame.com](http://www.hi-flame.com)



**CPR DECLARATION OF PERFORMANCE**

**CPR DECLARATION OF PERFORMANCE (DoP)**

The materials, design, construction and operating instructions, as well as the CE marking, meet or exceed the appropriate EN13240 Type Test requirements for this type of appliance. Data from Kiwa GasTec BS EN13240: 2001 test January 2011 for wood logs.

**General Specification**

Model Name	<b>Baby Gabriel®</b>
Model Number	<b>HF217-SE</b>
Overall Height	<b>555 mm</b>
Overall Width	<b>414 mm</b>

Overall Depth	<b>345 mm</b>
Net Weight	<b>83 kg</b>
Gross Weight (packed)	<b>91 kg</b>
<b>Performance</b>	
Fuel	<b>Wood Logs</b>
Nominal Heat Output	<b>4.6 kW</b>
Refuelling Interval	<b>0.75 hr</b>
Efficiency (net)	<b>75%</b>
Mean CO Emission (at 13%)	<b>0.25</b>
Mean Flue Gas Temperature	<b>296°C</b>
Flue Gas Mass Flow	<b>4.5 g/s</b>
<b>Fuel Requirements</b>	
Wood Logs: Moisture content	<b>&lt;20%</b>
Maximum Log Length	<b>250 mm</b>

Max Fuel Load	<b>1.5 kg</b>
<b>Flue</b>	
Flue configuration	<b>top or rear</b>
Flue pipe diameter	<b>125 mm</b>
Height to centre of rear flue	<b>435 mm</b>
From centre of top flue to back	<b>134 mm</b>
Minimum flue height from base of stove	<b>4500 mm</b>
<b>Minimum Distance to Combustibles</b>	
We do not recommend the use of combustible mantels (eg wood).	
Rear	<b>450 mm</b>
Sides	<b>350 mm</b>

**HF217-SE SECONDARY AIR INTAKE SLIDER CONTROL – DEFRA MODELS**

In order to comply with Defra emissions criteria the slider control cannot be fully closed. It has been fitted with a mechanical stop to prevent it closing beyond the 3mm open position (see below).

